

2M-1431A

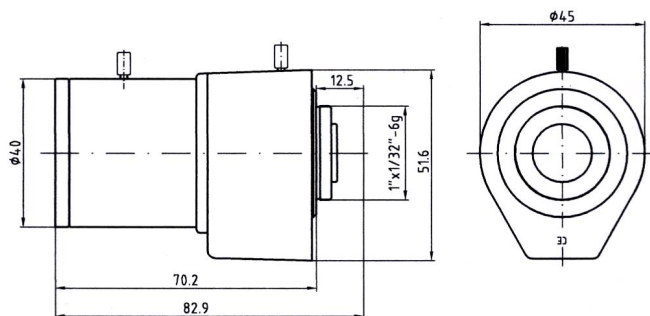
Varifocal Auto Iris DC Drive



ITEM	2M-1431A	
Sensor	CCD	
Format	1/3"	
Mount	CS	
Focal Length	1.4~3.1mm	
Aperture (F)	1.4~360	
Angle of View	118°~84°	
Back Focal Length	7.7mm	
M.O.D.	0.1mm	
Effective Aperture	Front Ø28mm	Rear Ø10.2mm
Lens Quantity	12pcs - 9 Groups	
Screw Thread	1" x 1/32" - 6G	
Dimensions	Ø45 x 70.2 x 51.6mm	
Weight	165G	
Color	Black	
Surface Finish	Sand Oxidation	

MATERIAL	
Housing	Aluminium Alloy #6061
Screw	Copper
Lens	Glass Lenses
Lide	Plastic

DIMENSION



Extremely Wide Angle Fish Eye Lens

FEATURES

- Focal Length: 1.4-3.1mm
- Aperture: 1.4-360
- Mount: CS
- Image Format: 1/3"
- Angle of View: 181°-84°
- M.O.D.: 0.1m
- Weight: 165g

