

COMPU- **V**IDEO **S**YSTEMS INC.

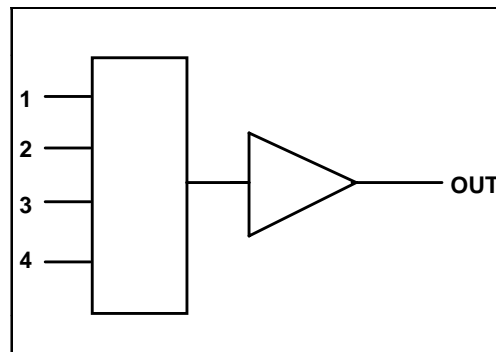
CTS-4

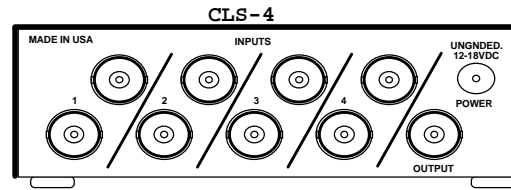
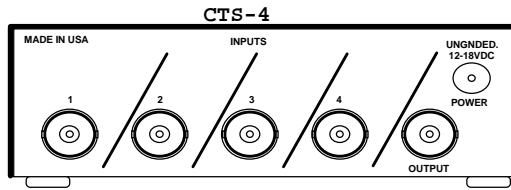


Compu-Video System's CTS-4 is a high performance 4x1 composite video sequential switcher. The switcher is designed to handle up to four high resolution color video sources and uses an external UL listed power supply to meet today's safety requirements. Switching occurs during the vertical interval to minimize monitor roll.

KEY FEATURES:

- High quality Video Performance
- High quality Construction
- Compact Size: 1.70"H x 5.00"W x 7.5"D
- UL listed power supply
- Made in USA





SPECIFICATIONS

ELECTRICAL:

Power:	UL listed 12VDC power adapter (supplied)
Input Voltage:	13.5 to 18VDC isolated ground
Power Consumption:	1 watt

VIDEO:

Input impedance:	75 ohms(CTS) terminated 10k ohms (CLS) looping
Output source impedance:	75 ohms
Max video input:	2vpp
Frequency Response:	15mHz +/- 0.7dB.
Gain:	Unity +/- 3%
Differential Gain:	<0.5%
Differential Phase error:	<0.5 degrees
Max H tilt:	<1%
Max V tilt:	<1%

OPERATIONAL:

Switches:	3 position toggle switch
Indicators:	LED lamp for each input
Sequence interval:	Variable: 1 sec. to 90 sec.

MECHANICAL:

Connectors:	BNC
Power Connector:	3.5 mm Phono, center positive
Height:	1.70"
Width:	5.00"
Depth:	8.00"

All specifications are subject to change without prior notification.

C OMPU-
V IDEO
S YSTEMS INC.