

NUVICO EasyView™

Wall Mount / CV-WM

Contents

Wall Mount

- Qty: 1

Mounting Template

- Qty: 1

Assembly Screws

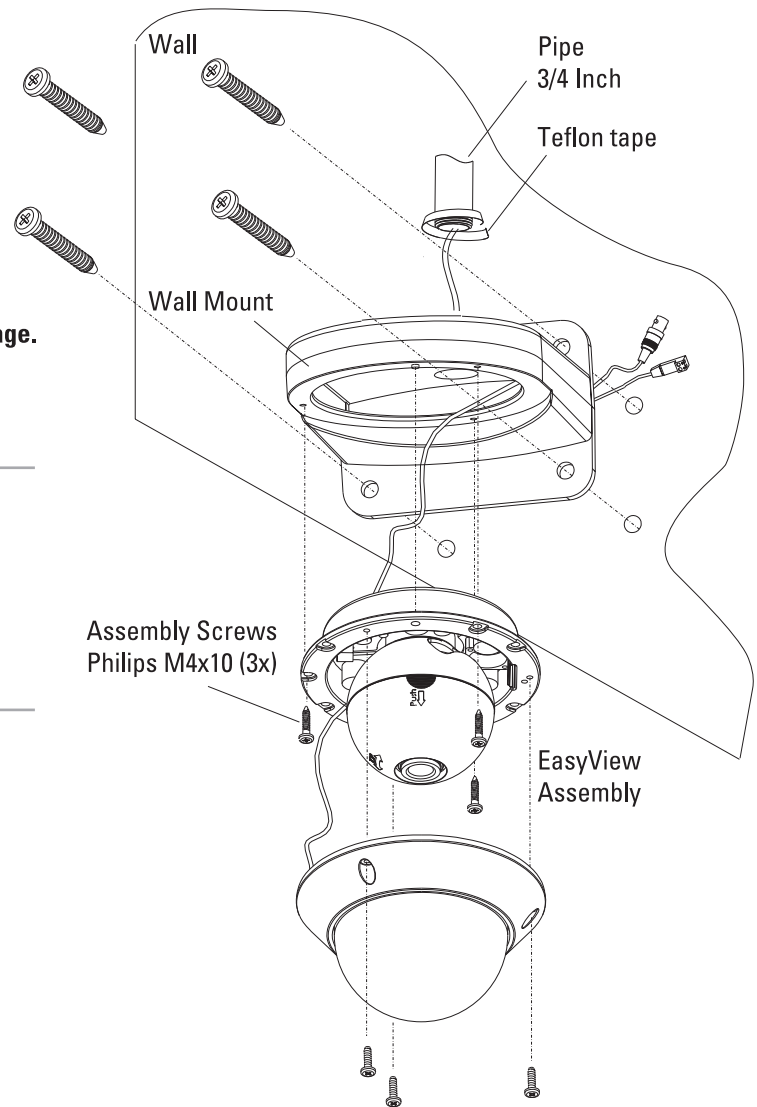
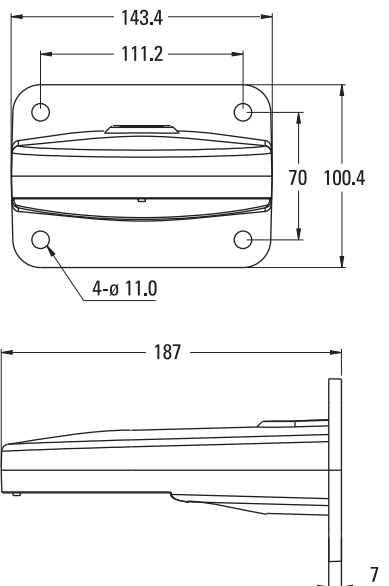
- Philips M4x10
- Qty: 3
- Length: 10mm
- Thickness: 3mm

Note: Mounting screws are not supplied with this package.

Construction

- Aluminum
- Color Options: Ivory or Black
- Weight: 1.4 lb(0.64kg)

Dimensions (UNIT: mm)



NUVICO INC.

53 Smith Street, Englewood, NJ 07631 USA
Phone 201-541-1605 Toll Free 866-523-1700 Fax 201-541-1620
sales@nuvico.com www.nuvico.com

NUVICO reserves the right to alter product offers and specification at any time without notice.
NUVICO EasyView and the NUVICO logo are registered trademarks of NUVICO.
© Copyright 2006, NUVICO. All rights reserved.

NUVICO®

Connecting Video Anywhere™