

MECHANICAL DAY&NIGHT VANDAL RESISTANT DOME

KPC-VPD470CAV10
(SONY 1/3" SUPER HAD CCD)



(Flush Mount)

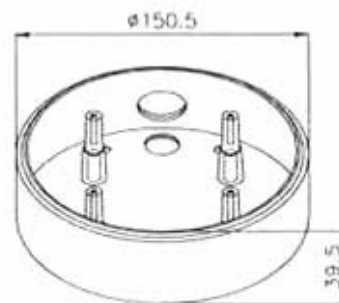
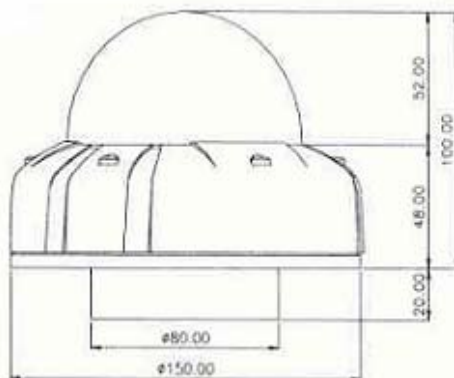


(Ceiling Mount)

SPECIFICATIONS	
Model	KPC-VPD470CAV10
	NTSC
Image Device	HIGH RES. SONY 1/3" SUPER HAD CCD WITH SONY's HQ1 CHIPSET
Total Pixels	811(H)x508(V)
Effective Pixels	768(H)x494(V)
Horizontal Resolution	550TV lines
Low Lux Sensitivity	0.05Lux at night time mode
S/N Ratio	More than 45dB(AGC off)
Gamma Correction	γ=0.45
Electronic Shutter	NTSC /1/60 ~ 1/100,000sec Auto
Weatherproff	IP66
Operating Temperature	-10°C ~ +45°C
Storage Temperature	-30°C ~ +60°C
Gain Control	Automatic (0~26dB)
White Balance	Automatic (2,100 ° K ~ 8,000 ° K)
Mount	Ceiling Mount Kit included, 3-Axis Gimbal capability for wall mount installation
Power Options	DC12V (±10%)
Lens	f2.8-11mm varifocal auto-iris lens (IR cut filter removed) IR lens (Focus does not shift during night mode)

※ ALL SPECS ARE SAME EXCEPT LENS TYPE

WIRING DIAGRAM



Ceiling Mount Bracket