

LCD-FT

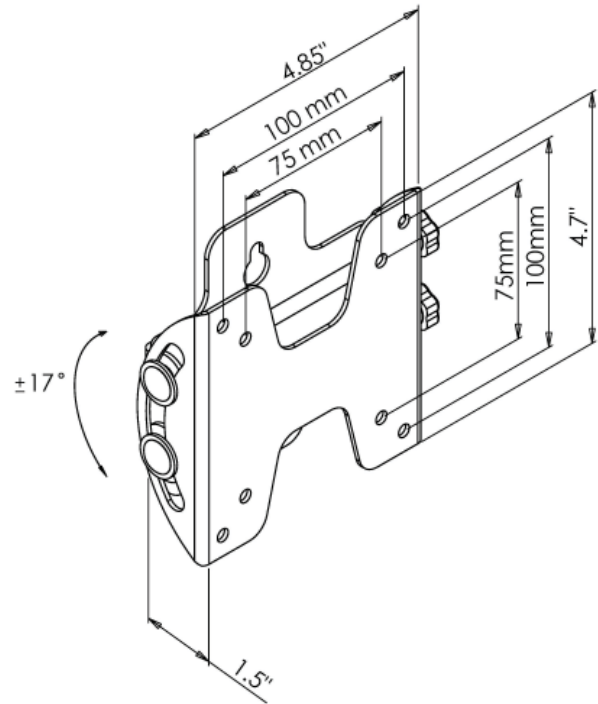
*universal LCD monitor flush mount
with tilt*

Product Features:

- holds most 10" - 23" LCD monitors
- accommodates monitors with 75 or 100mm VESA standards
- adjustable tilt $\pm 17^\circ$
- distance from wall to back of monitor - 1.5"
- easy "key-hole" wall mount system
- load capacity - 25 lbs.
- silver powder coat finish

Product Specifications: *(for Architects & Engineers)*

The wall flush with tilt mount for the LCD display shall be the Video Mount Products (VMP) model LCD-FT. The mount shall be designed to attach to a single stud or other suitable support surface. The mount shall be primarily constructed of formed steel. The mount shall be a universal style mount capable of mounting to all 10" - 23" monitors that incorporate VESA 75 or 100 standard hole patterns and not necessarily model be specific. The mount shall have +/- 17 degrees of tilt. The load capacity shall be 25 lbs.



Video Mount Products
325 Log Canoe Circle
Stevensville, MD 21666
Phone: 410.643.6390
Fax: 410.643.6615
www.videomount.com

