

PDM-FT

*universal plasma monitor flush mount
with tilt*

Product Features:

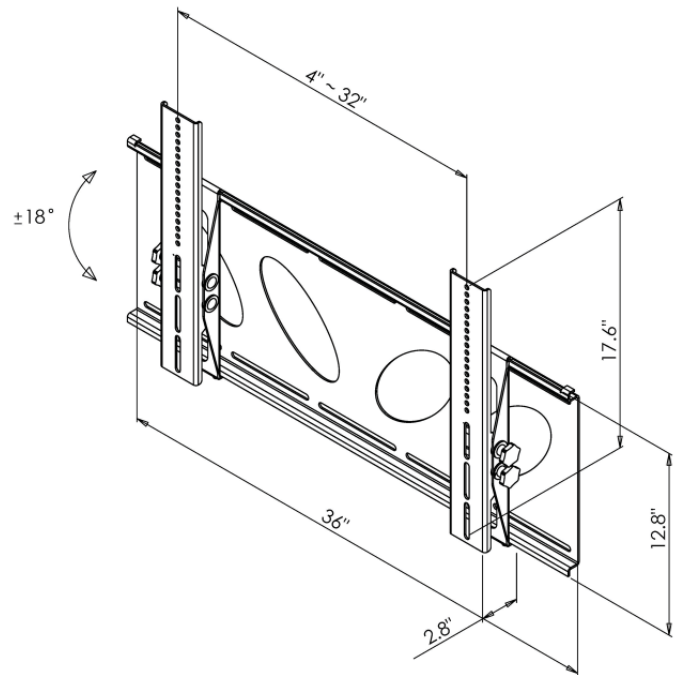
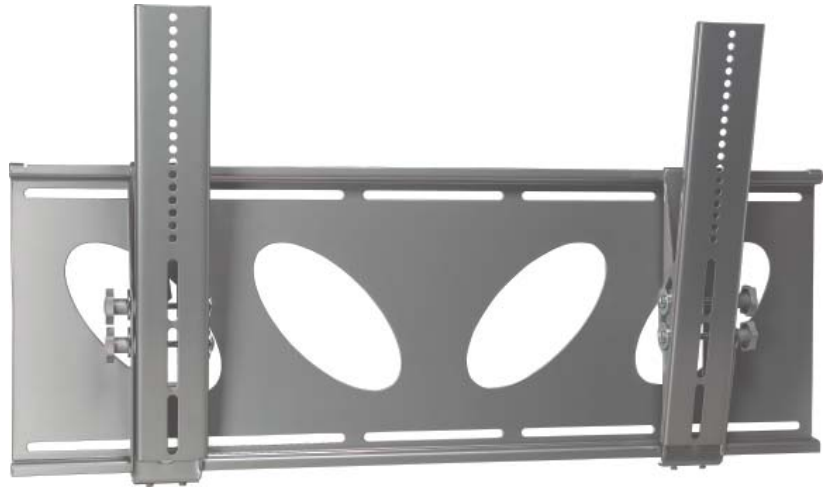
- holds most 37" - 63" plasma monitors
- mounting rails adjust from 4" - 32" (left to right)
- adjustable tilt $\pm 18^\circ$
- distance from wall to back of monitor - 2.8"
- load capacity - 180 lbs.
- silver powder coat finish

Product Specifications: (for Architects & Engineers)

The wall flush with tilt mount for the plasma display shall be the Video Mount Products (VMP) model PDM-FT. The mount shall be designed to attach to 2 studs up to 24" apart or other suitable support surface.

The mount shall be primarily constructed of formed steel. The mount shall be a universal style capable of adjusting to the dimensions of a variety of popular 37" to 63" plasma displays and not necessarily be model specific. The adjustable mounting brackets shall open from 7.5" to 31.5" left to right and have +/- 18 degrees of tilt.

The load capacity shall be 180 lbs.



Video Mount Products

325 Log Canoe Circle
Stevensville, MD 21666

Phone: 410.643.6390

Fax: 410.643.6615

www.videomount.com

