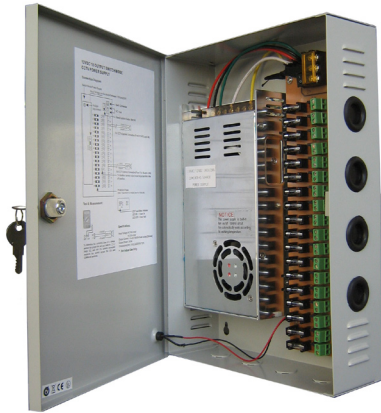




VEILUX®

POWER SUPPLY

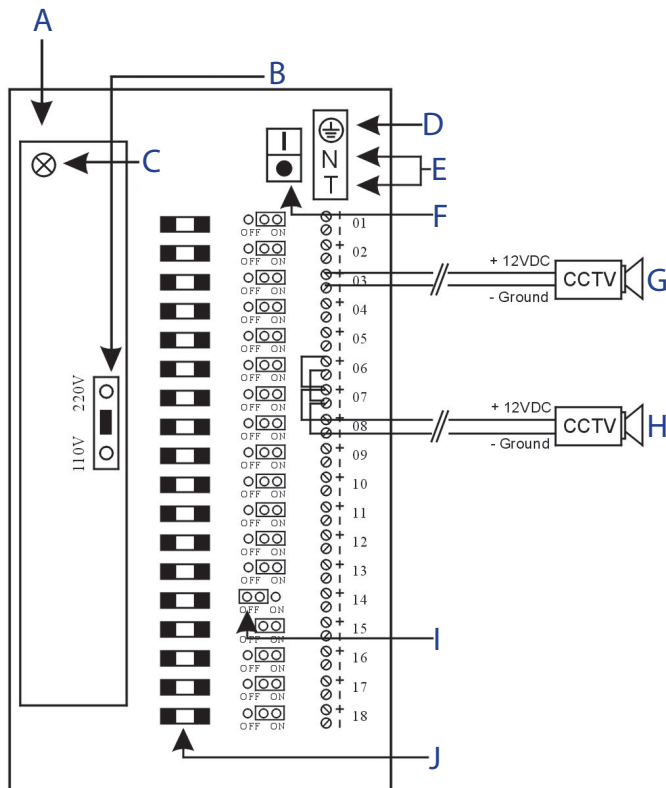
SV-PS121824



SPECIFICATIONS

ITEM	SV-PS121824
Input Voltage	AC100~120V
Output Current	10 x 2A + 8 x 0.5A fused outlets (26A max)
Output Power	300W
Dimensions	320mm(L) X 210mm (W) X 65mm(H)
	FOR INDOOR USE ONLY

DIAGRAM



FEATURES

- A • Switch Mode Power Supply
- B • Input Voltage can be selected 110V
- C • Voltage Adjustment
- D • Earth Connection
- E • AC Input (Brown=Live, Blue=Neutral, Green=Ground)
- F • Panel Isolation Switch ON/OFF
- G • Std CCTV Camera Connection (From 01 to 10, up to 2A)
- H • Parallel CCTV Camera Connection (From 11 to 18, up to 0.5A)
 If the CCTV Camera is rated at more than 500mA multiple outputs can be connected in parallel to increase the total output current. In the example shown 3 outputs have been connected in parallel to give a total output of 1.5Amp.
- I • To disable a camera output move the jumper link to the off position
- J • Protection Fuses
 (Note: Fuses from 01 to 10 is 2A, from 11 to 18 is 0.5A)



VEILUX®

The Art of Surveillance

3015 Eagle Drive, Suite 100, Grand Prairie, Texas 75052
 Local Number: (214) 635-4855 / Fax: (928) 437-6270
 sales@veilux.net
 www.veilux.net