



# VEILUX®

## POWER SUPPLY

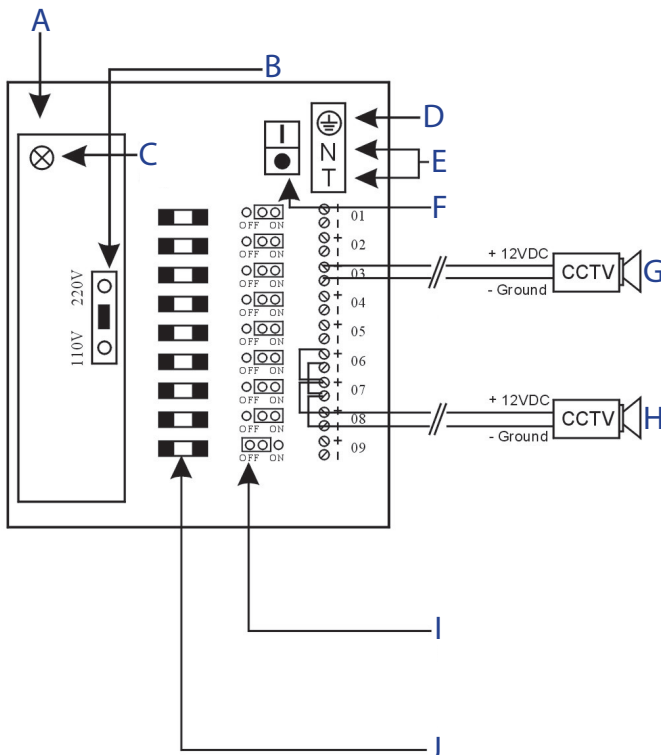
### SV-PS12916



## SPECIFICATIONS

ITEM	SV-PS12916
Input Voltage	AC100~120V AC220~240V
Output Current	9 X 500mA fused outlets (7.5A Max)
Output Power	60W
Dimensions	240mm(L) X 210mm (W) X 65mm(H)
	FOR INDOOR USE ONLY

## DIAGRAM



## FEATURES

- A • Switch Mode Power Supply
- B • Input Voltage can be selected between 110V and 220V
- C • Voltage Adjustment
- D • Earth Connection
- E • AC Input (Brown=Live, Blue=Neutral, Green=Ground)
- F • Panel Isolation Switch ON/OFF
- G • Std CCTV Camera Connection (up to 500mA)
- H • Parallel CCTV Camera Connection (For CCTV Camera's rated at more than 500mA)  
If the CCTV Camera is rated at more than 500mA multiple outputs can be connected in parallel to increase the total output current. In the example shown 3 outputs have been connected in parallel to give a total output of 1.5Amp.
- I • To disable a camera output move the jumper link to the off position
- J • Protection Fuses (Note: Fuses can be upgraded to 1Amp if required, providing total power output does not exceed 5A)



# VEILUX®

*The Art of Surveillance*