



SURVEILUX®

EX-PROOF INTELLIGENT CAMERA

SVEX-Q15



SVEX-Q15 as a advanced monitoring equipment, integrated with traditional ex-proof equipment and intelligent dome advantage, has made monitoring in explosive area to a new era. Inside with high definition integrated colour camera, 23X zoom lens, 10X electrical, low lux technique, colour/black white auto change, with wide dynamic function, number image up/down image freeze etc.

SVEX-Q15 is integrated with multi-protocol and communication rate to response all kinds of orders. Power supply by 220VAC and with 35°/sec pan turning speed, 360° pan continuing turning; 35°/sec tilt tuning speed, 90° tilt turning.

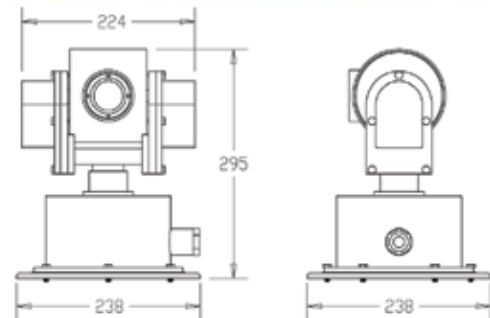
SVEX-Q15 allows to adjust pan/tilt speed according to lens location and to keep a clear picture. With 64 preset prepositions, including pan, tilt and lens.

SVEX-Q15 also allows working under -25°C to +60°C longtime stably and its mounting could be ceiling, indoor and outdoor stand.

FEATURES

- Advanced Intelligent Ex-proof Camera
- Stainless Steel Material
- Ceiling or Stand Installation
- High Definition Camera & Wide Zoom Lens
- Multi-protocol
- 360° Pan Turning
- 90° Tilt Turning
- Indoor & Outdoor For All Weather use
- Preset Positioning & Auto-Tour Monitoring
- High Performance w/ Competitive Price

DIMENSION



SURVEILUX®

The Art of Surveillance



SURVEILUX®

EX-PROOF INTELLIGENT CAMERA

SVEX-Q15

CERTIFICATE

ITEM	SVEX-Q15
Ex-Marking	Exd II CT6 (No Ethyne) EExd II B+H2T6
Certificate	CNE04.1111X Nemko 05ATEX1208
License	XK06-123-00251

ELECTRICAL

ITEM	SVEX-Q15
Power Supply	220VAC, 50/60Hz
Scope	±10%
Current	≤100mA
Power Consumption	<24W
Communication	RS-485
Speed Rate	Multi, Could Be Set
Protocol	Multi, Could Be Set
Presets	64
Presets Accuracy	≤0.5°
Video Out	Composite, 1.0 Vp-p / 75Ω
Tour Function	45°, 90°, 180° Optional Customer to Set
Connection	6-Core Composite Cable For Video, Power & Control

ENVIRONMENTAL

ITEM	SVEX-Q15
Air Pressure	86~106KPa
Temperature	-25°C~+60°C
Humidity	≤95%RH (+25°C)

MECHANICAL

ITEM	SVEX-Q15
Material	1Cr18Ni9Ti or 316L
IP	IP65
Pan	360° Continuing
Tilt	0~90°
Pan Speed	35°/S
Tilt Speed	35°/S
Weight	16Kg
Shipping Weight	20Kg
Mounting	Ceiling or Stand

SPECIFICATIONS

ITEM	SVEX-Q15	
Signal System	NTSC	PAL
Scanning System	Progressive Scanning	
Image Sensor	1/4" SONY CCD	
Scanning Freq' (H)	15.625KHz	
Scanning Freq' (V)	50KHz	
Effective Pixels No.	Resolution: 795(H) X 596(V)	
Lens	High Performance 23X Optic Zoom Lens Auto Focus / F1.6, f=3.6~82.8mm	
Min Focus	0.01m (Wide) / 1.0m (Tele)	
View Angle	54° (Wide) / 2.5° (Tele)	
Min. illumination	0.1Lux (Color) / 0.02Lux (Black)	
Resolution	480 TV Lines (Color) / 600 TV Lines (B/W)	
S/N Ratio	>50db	
Video Output Level	1.0 Vp-p composite video at 75Ω, BNC	
Sync System	Internal Sync / External Sync	
Digital Zoom Ratio	10x Zoom	
Focus Mode	Auto / Manual	
White Balance	Auto / Manual	
Shutter Speed	Auto: 1/50~1/4,000 sec. Manual: 1/1.5~1/30,000 sec	
Frame Gather	Manual: 2*, 4*, 6*, 10*, 16*, 32*	
Iris Control	Auto / Manual	
Special	Auto Color / Monochrome / Wide Dynamic Range Digital Image Reverse / Image Freeze	