



VEILUX®

TRUE DAY & NIGHT DNR DOME CAMERA

SVD-56CDNRL2812



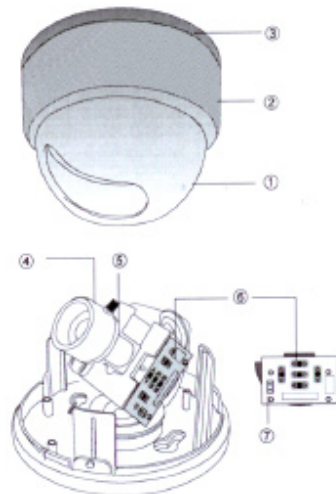
SPECIFICATIONS

ITEM	SVD-56CDNRL2812	
TV System	NTSC	PAL
Image Sensor	1/3" SONY SuperHAD CCD	
Effective Pixel	768(H) x 494(V)	752(H) x 582(V)
Horizontal Resolution	560TV Lines (Max)	
Scanning System	2 : 1 Interlace	
Sync. System	Internal	
Frequency	(H) 15.734KHz (V) 59.94Hz	(H) 15.625KHz (V) 50.00Hz
Video Output	1.0Vp-p / 75ohm Video 0.714Vp-p Sync 0.286Vp-p	
Burst Level	0.286Vp-p	
S/N Ratio	More Than 50dB (V, Aperture, AGC off)	
Min. illumination	0.00001Lux (f1.2 20IRE, Sens-Up 32X)	
Sense Up	Max 32 Times, 0.0001Lux	
Y Correction	0.45	
AGC	+18dB Max	
IRIS Control	Electrical IRIS / Lens IRIS (DC Lens)	
Electrical Shutter	1/60 (1/50)~1/120,000	
O.S.D	Built-In Lens, Brightness, Back Light, Shutter, AGC, Sense Up, White Balance, Day / Night, Motion, Privacy, Title, NEG / POSI, Sharpness, Mirror, Zoom, Pan / Tilt	
Lens	Aspherical 2.8~12mm DC Lens	
Operation Temp'	-10°C~50°C	
Operational Hum'	30%~80%	
Storage Temp'	-20°C~60°C	
Storage Hum'	20%~90%	
Power Supply	12VDC / 300mA (Max)	
Dimension	143mm(ø) x 100mm(H)	
Weight	About 940g	

FEATURES

- High Resolution of 560 TV Lines
- 1/3" SONY SuperHAD CCD
- True Day & Night (LENs ICR Type-IR Cut Filter Removable)
- Stabilized images by reducing flickering
- Privacy Function
- Electronic IRIS
- DNR (Digital Noise Reduction)
- DSS (Digital Slow Scan)
- Blemish Auto Compensation (Zero Blemish)
- Controlled By OSD Menu
- Automatic Gain Control, Motion Detection
- Additional Functions
- 3-Axis Gimbals
- 12VDC / 300mA (Max)

DIMENSIONS



- 1) Dome
- 2) Dome Cover
- 3) Base
- 4) Focus Handle
- 5) Zoom Handle
- 6) OSD Menu
- 7) Service Video



VEILUX®

The Art of Surveillance

3015 Eagle Drive, Suite 100, Grand Prairie, Texas 75052
 Local Number: (214) 635-4855 / Fax: (928) 437-6270
sales@veilux.net
www.veilux.net