

PAN-FOCUS DAY/NIGHT VANDAL-RESISTANT DOME CAMERA

- No Focus Adjustments Required
- Built-in X2.6 motorized zoom pan-focus lens, f=2.8-7.3mm (F=1.9-3.0)
- 1/4" CCD type, Day/Night camera
- IR Cut Filter Removable System
- Super-high horizontal resolution of 520 TV lines
- Minimum illumination:
 - » 1.2 lx (F1.9, Color mode)
 - » 0.06 lx (F1.9, B/W mode)
- Easy installation, easy adjustment and easy set-up
- Vandal-resistant Dome & Weatherproof design (IP66)
- Built-in Motion Detection and Privacy Masking Functions
- Preconfigured versions for SSP or Network Control
- Accessories Include:
 - » VA-50H (24V AC Heater Board)
 - » VA-50ST (RS-485/UTP, Coaxial Control Board)
[Protocols Supported: SANYO SSP, SANYO H.SSP, SANYO Coax, Pelco-C, Pelco-D]
 - » VA-50LAN (JPEG, POE Network Board + Audio)
- 24V AC / 12V to 15V DC Dual Power Supply

VDC-DP7584
VDC-DP7584S
VDC-DP7584N



Note: VDC-DP7584N Network version available August, 2006



PAN-FOCUS
Technology in Perspective

PAN-FOCUS DAY/NIGHT VANDAL-RESISTANT DOME CAMERA

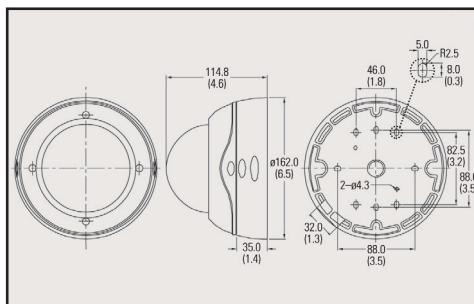
Specifications

Model		VDC-DP7584/VDC-DP7584S/VDC-DP7584N
Scanning system		NTSC standard 525 lines, 30 frames/sec
Image sensor		1/4" Interline transfer method CCD (3.6 mm x 2.7 mm), 2.1 interlace
Picture elements		Total: 811(H) x 508(V), Effective: 768(H) x 494(V)
Horizontal resolution		More than 520 TV lines
Video output level		1.0 V (p-p) (75Ω, composite)
Video S/N Ratio		More than 50dB (AGC off)
Synchronizing system		Internal sync. / Line lock
Minimum Illumination	50 IRE	1.2 lx (F1.9, GAIN: High, Color mode)
		0.06 lx (F1.9, GAIN: High, B/W mode)
	20 IRE	0.48 lx (F1.9, GAIN: High, Color mode)
		0.024 lx (F1.9, GAIN: High, B/W mode)
Backlight compensation		ON (CENTER/MULTI-SPOT) / OFF
White balance		ATW/AWC/Manual/Outdoor/Indoor/Fluorescent
Gain control		HIGH/NORMAL/OFF
Lens		Built-in X2.6 motorized zoom pan-focus lens, f=2.8 - 7.3mm, F1.9 - 3.0
Electronic shutter		1/60, 1/100, 1/250, 1/500, 1/1000, 1/2000, 1/4000, 1/10000
Motion detector		ON/OFF: Motion zoom function
Privacy masking		ON/OFF: Max 4 masking locations
Day/Night		AUTO/COLOR/B/W: External control
Aperture		HIGH (2 step) / NORMAL / OFF
Environmental conditions		Temperature: -10 to +50 degrees C, Humidity: Less than 90% RH with VA-50H, -30 to +50 degrees C, (-22 to +122 degrees F), Humidity: Less than 90% RH
Power requirement		12-15V DC / 24V AC± 10%, 60Hz
Power consumption		3.5W, with VA-50ST/or VA-50LAN=9.5W, with VA-50H: 23.0W
Dimension		Ø162 x 114.8mm [Ø6.4 x 3.8 in.]
Weight		1.5kg (3.3 lbs.) without options

Available Models

	RS-485/Coax (SSP)	Network	Heater
VDC-DP7584			
VDC-DP7584H			X
VDC-DP7584S	X		
VDC-DP7584SH	X		X
VDC-DP7584N		X	
VDC-DP7584NH		X	X

Dimensions



Specifications and product design are subject to change without notice.
©2006 SANYO Security Products

SANYO

SANYO Security Products
21605 Plummer Street
Chatsworth, CA 91311
Phone: (888) 893-7403
Fax: (888) 818-2597
Technical Support: (888) 66-SANYO
www.sanyocctv.com