

P9000HW/HC/HP Swivel Head Brackets

PRODUCT FEATURES

- P9000HW/HC/HP are heavy-duty outdoor swivel head brackets designed for use with outdoor housing WV-7135/7140/7150/7160 and POH1600
- P9000HW is designed for mounting to a flat wall
- P9000HC is designed for mounting to an outside corner
- P9000HP is designed for mounting to a round pole larger than 3.5"D

GENERAL SPECIFICATIONS

Dimensions

| | |
|----------------|--------------------------|
| P9000HW | 17.375"H x 4"W x 6"D |
| P9000HC | 21.437"H x 4"W x 5.250"D |
| P9000HP | 18.625"H x 4"W x 7.750"D |

Weight

9 lbs.

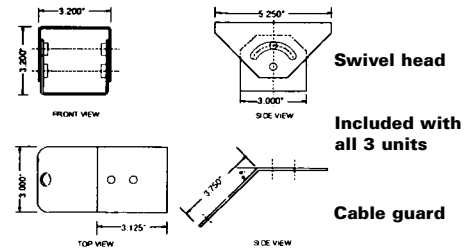
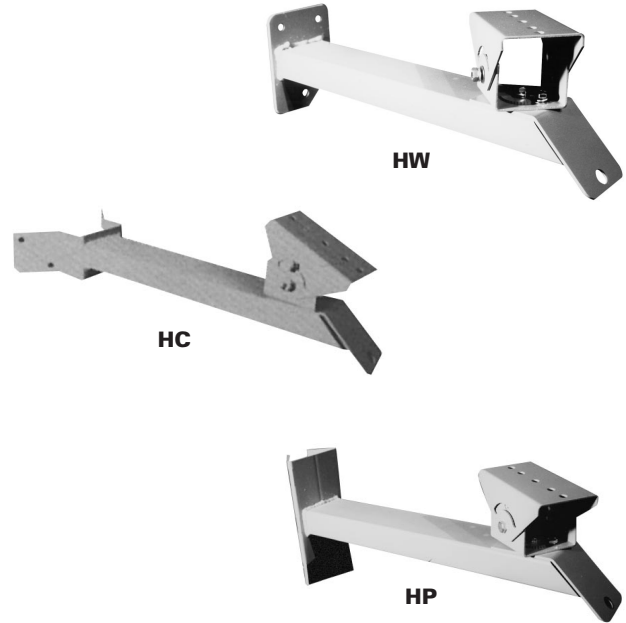
Load Weight

85 lbs. (38kg)

OPTIONAL ACCESSORIES

| | |
|--------------|----------------------|
| PCA2B | Corner mount adaptor |
| PPM3B | Pole mount adaptor |

Weights and dimensions shown are approximate. Specifications subject to change without notice.



Swivel head

Included with all 3 units

Cable guard

ARCHITECTS' AND ENGINEERS' BID SPECIFICATIONS

P9000HW

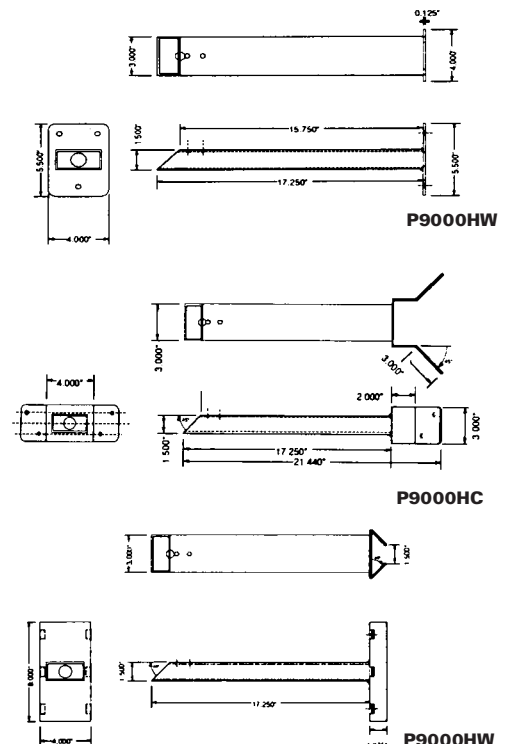
The heavy-duty outdoor swivel head bracket shall be a Panasonic model P9000HW or equivalent. The bracket shall be designed for mounting to a flat wall. The bracket shall be designed for use with outdoor camera housing Panasonic WV-7140 or WV-7135. The bracket shall support a load weight of 85 lbs. The bracket's dimensions shall not exceed 17.375"H x 4"W x 6"D. The bracket's weight shall not exceed 9 lbs.

P9000HC

The heavy-duty outdoor swivel head bracket shall be a Panasonic model P9000HC or equivalent. The bracket shall be designed for mounting to an outside corner. The bracket shall be designed for use with outdoor camera housing Panasonic WV-7140 or WV-7135. The bracket shall support a load weight of 85 lbs. The bracket's dimensions shall not exceed 21.437"H x 4"W x 5.250"D. The bracket's weight shall not exceed 9 lbs.

P9000HP

The heavy-duty outdoor swivel head bracket shall be a Panasonic model P9000HP or equivalent. The bracket shall be designed for mounting to a round pole larger than 3.5" in diameter. The bracket shall be designed for use with outdoor camera housing Panasonic WV-7140 or WV-7135. The bracket shall support a load weight of 85 lbs. The bracket's dimensions shall not exceed 18.625"H x 4"W x 7.750"D. The bracket's weight shall not exceed 9 lbs.



P9000HW

P9000HC

P9000HP